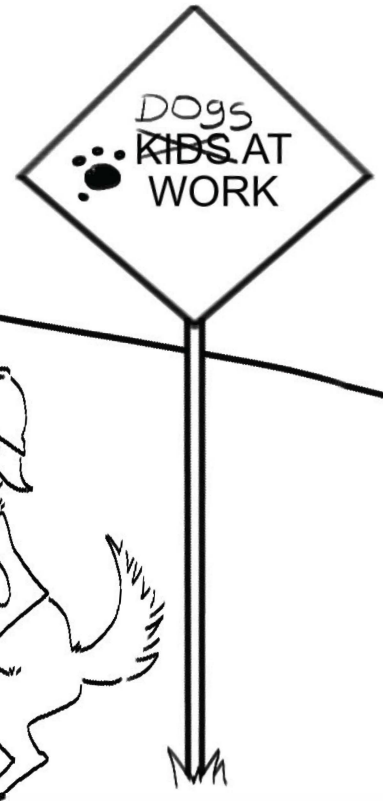
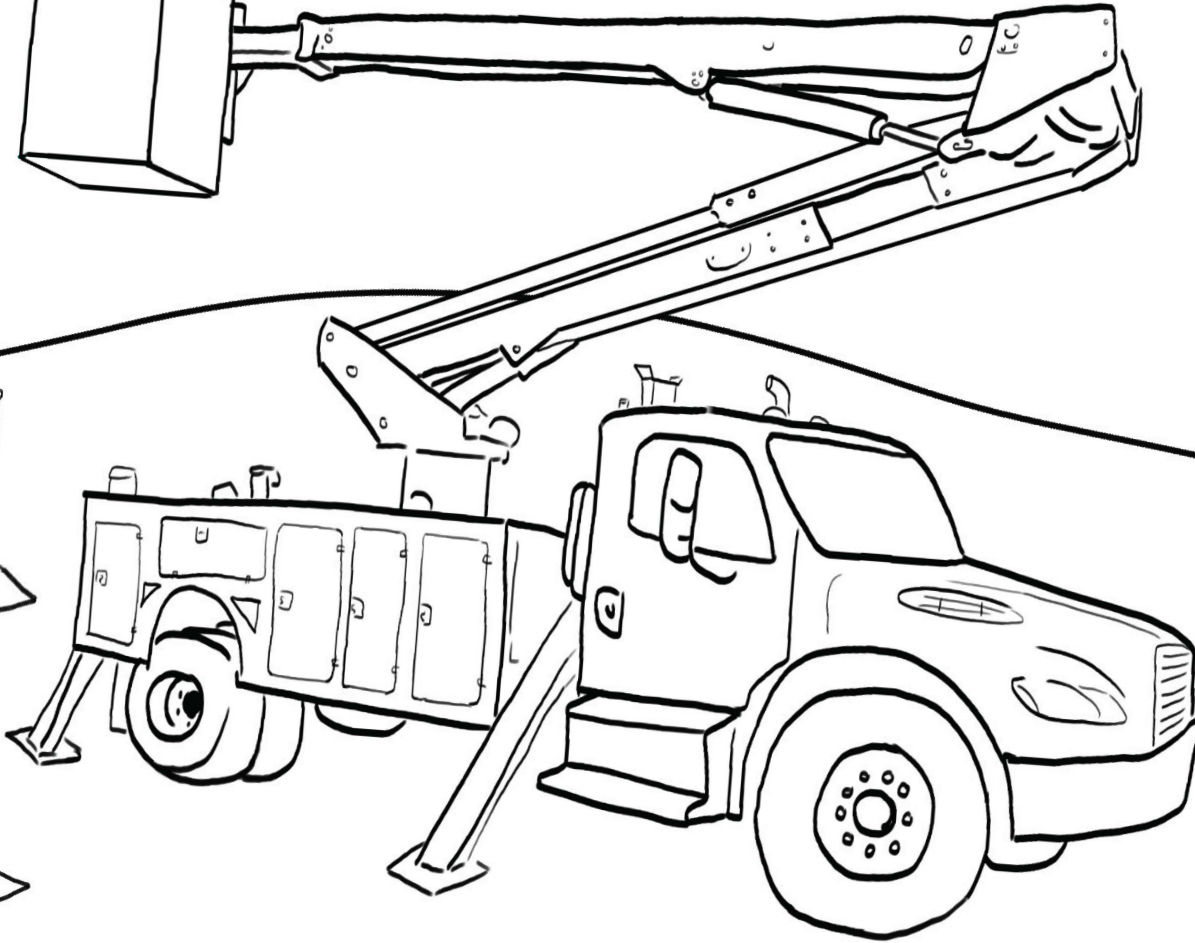
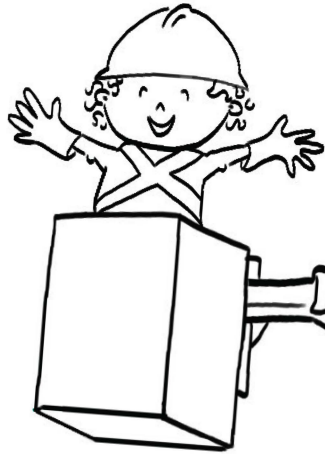


THANK A LINERWORKER



Name: _____

Age: _____



sbunet.com • (920) 746-2820

SHARED STRENGTH THROUGH @WPPI ENERGY

GET OUT YOUR CRAYONS, MARKERS & PENCILS AND ENTER TO WIN!

Thank-A-Lineworker Coloring Contest
Contest runs March 17 - April 14

OFFICIAL CONTEST RULES

1. Children ages 4-12 may enter. One submission per child.
2. Entries must be received by April 14, 2023.
3. Drop off, mail or email entries to PO Box 27, Sturgeon Bay, WI 54235 or mbscherer@wppienergy.org.
4. Coloring page can be found on www.sbunet.com or can be picked up at the utility office.
5. Entries may be displayed in the local utility office, publications, or on official social media channels.
6. Please email mbscherer@wppienergy.org with questions.

PRIZES

1. There will be one winner from each age group: ages 4-6, ages 7-9 & ages 10-12 and one grand prize winner.
2. Winners will be awarded a \$50 Dancing Bear gift card. The grand prize winner will be awarded a \$100 Dancing Bear gift card.
3. The winners will be selected by Sturgeon Bay Utilities staff. All decisions of the judges are final. Winners will be announced on National Lineworker Appreciation Day on April 18.

ENTRANT CONTACT INFORMATION

Parent or Legal Guardian Name: _____

Phone Number: _____

Email: _____



At Sturgeon Bay Utilities, we join forces with other local not-for-profit utilities through WPPI Energy to share resources and lower costs.

sbunet.com (920) 746-2820